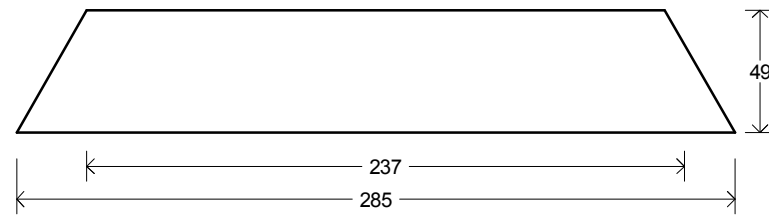
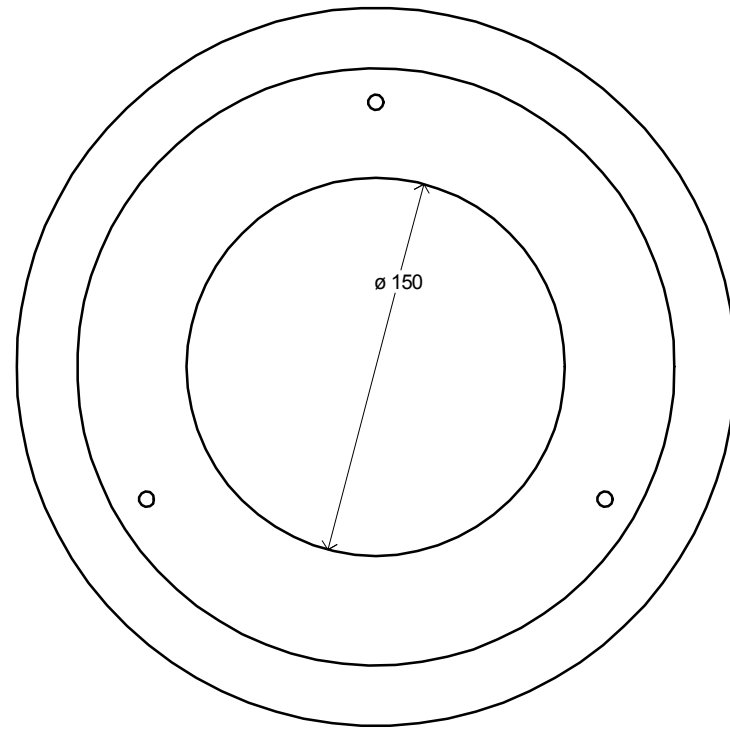
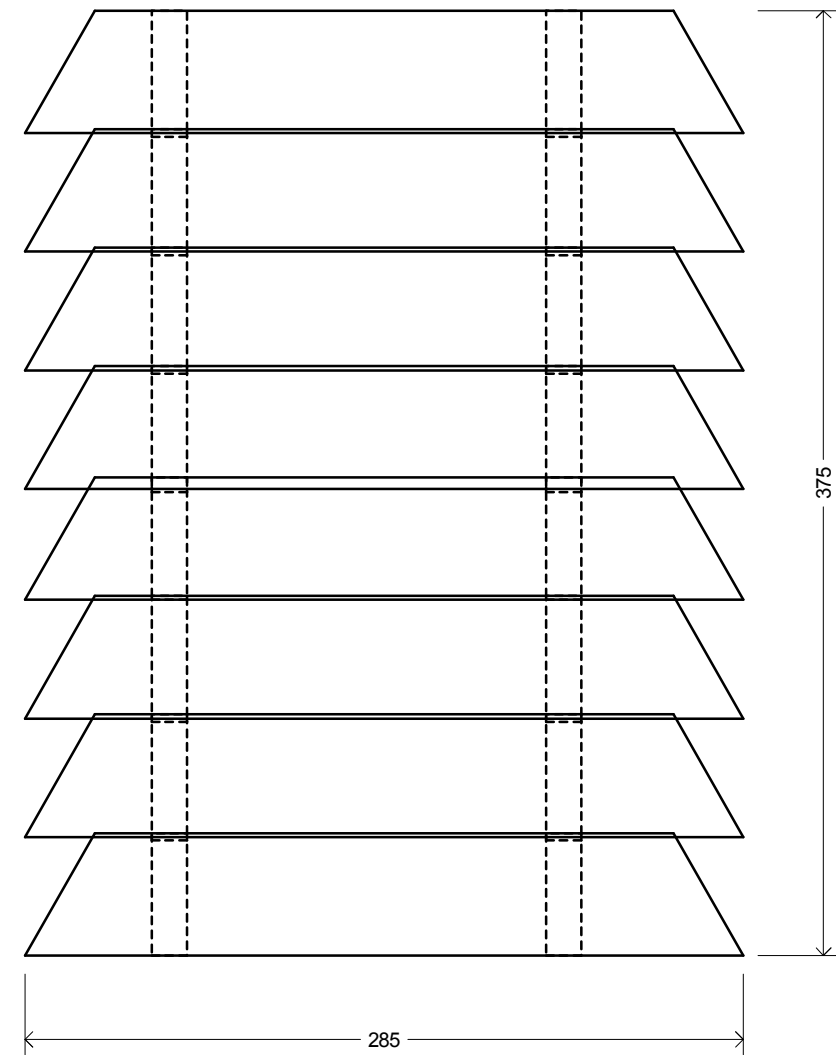


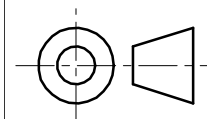
Top plate
3 x 36 vent holes



Upper plate
1 x no centre hole
8 x 150 centre hole



Side view



© 2011 Monitor Sensors (AUST)
 drawn by: RL
 checked by: Brett
 approved by: R Crofts
 approval date: 18-05-2011

SS3 sensor shelter
 MSMB00608 rev# 00

A3
 1:3