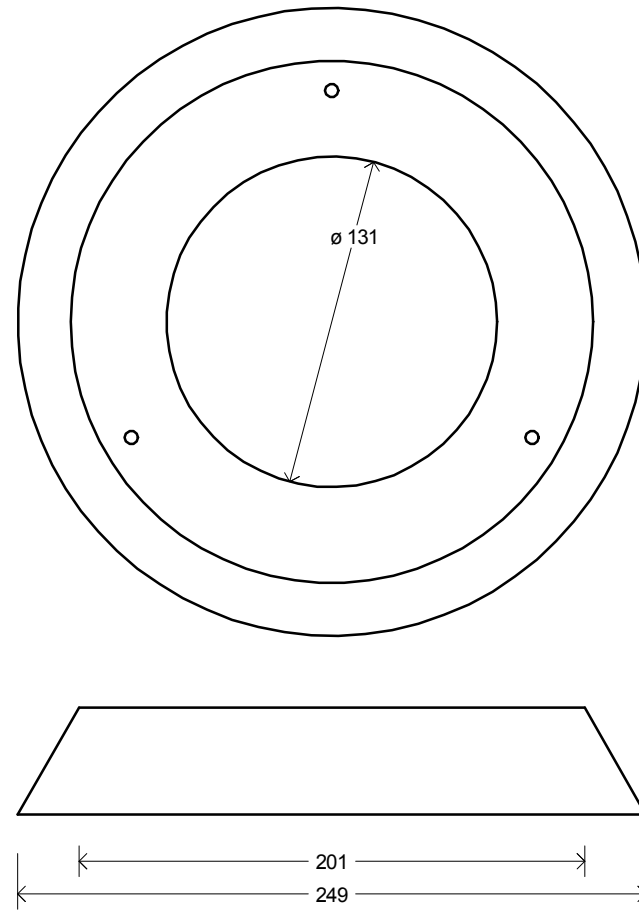
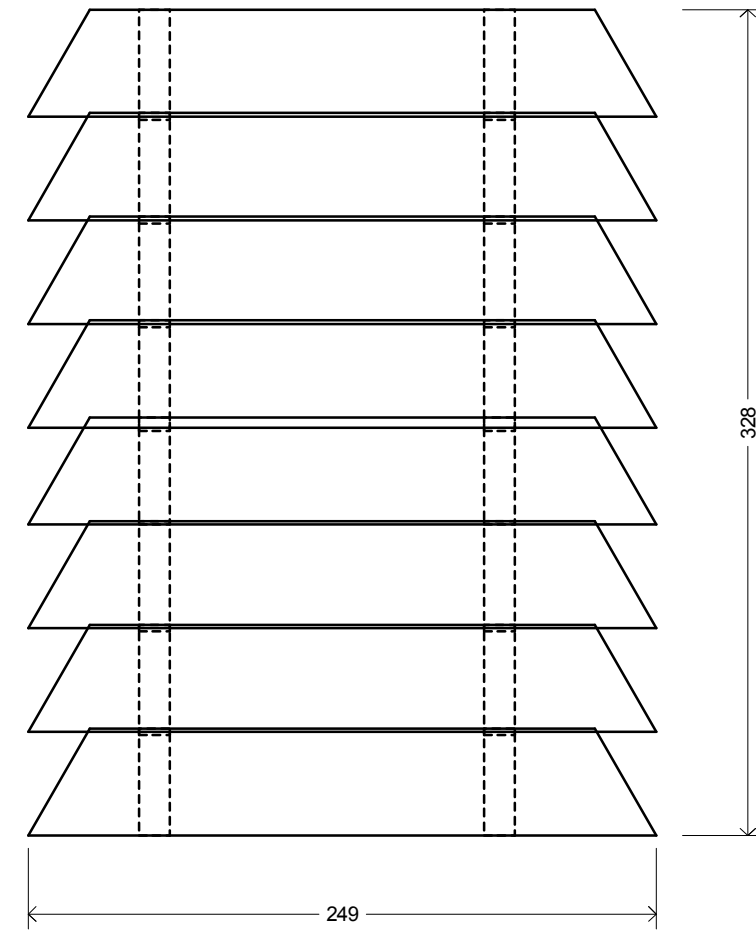


**Top plate**  
3 x 36 vent holes

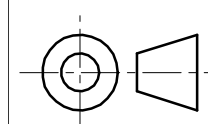


**Upper plate**  
1 off - no centre hole  
**Lower plates**  
7 off - 130 centre hole

White powder coated aluminium  
SS M6 threaded rod  
SS acorn nuts



**Side view**



© 2011 Monitor Sensors (AUST)  
drawn by: RL  
checked by: Brett  
approved by: R Crofts  
approval date: 18-05-2011

SS2 sensor shelter

MSMB00717 | rev# 00

**A3**

1:3